



TiCad®

TiCad
TANGO

(EN) User manual (Translation of the original user manual)



These operating instructions are valid for the following products:

- TiCad Tango electric trolley from year of manufacture 04/2026

The instructions for all accessories used are included in the applicable documents.

TABLE OF CONTENTS

SAFETY INSTRUCTIONS.....	2
YOUR TiCad TANGO IN DETAIL.....	3
SCOPE OF DELIVERY	3
STORAGE AND TRANSPORTATION	4
BATTERY - HANDLING, CARE, STORAGE, TRANSPORTATION	4
ASSEMBLY OF THE TiCad TANGO.....	8
DISASSEMBLY.....	13
FOLDING GOLF TROLLEY.....	14
ASSEMBLY / DISASSEMBLY OF ACCESSORIES.....	14
OPERATION	15
CLEANING, CARE AND MAINTENANCE	21
TROUBLESHOOTING	22
DISPOSAL.....	23
TECHNICAL DATA.....	24
STATUTORY WARRANTY AND MANUFACTURER'S GUARANTEE.....	25
SERVICE	27
IMPRINT	28

Intended use

Golf trolleys and accessories are intended exclusively for:

- Transportation of a golf bag including contents
- Maintenance of this promotion

The target group for the use of the golf trolley and accessories are adults, adults with physical or motor disabilities and children aged 12 and over.

The use as:

- Means of transportation for people or animals or for other applications
- Medical walking aid
- Toys for children

Do not pull golf trolley out of a motorized golf cart by hand.

Maximum load: 18 kg.

Disclaimer

Neither the manufacturer, importer nor retailer has any influence or control over the correct assembly, maintenance and handling of the golf trolley.

For this reason, the aforementioned persons, companies or organizations disclaim any liability that may arise from the operation or mere handling of the golf trolley.

Neither the manufacturer, importer nor retailer can be held liable for any damage to people, animals or property resulting from the operation or handling of the golf trolley or parts thereof.

The exclusion of liability applies both to direct damage and to any damage to third parties.

If you do not agree with this disclaimer, please make use of your right of withdrawal and return the item in new, unused condition.

The manufacturer accepts no liability whatsoever for subsequent modifications made to the respective product that have not been expressly approved by the manufacturer and produced by a suitable service center.

TiCad is not liable for damage to golf trolleys and any consequential damage caused by collisions, falls and water damage when using the optional remote control. Do not steer your golf trolley into dangerous situations. Please note that wireless connections from smartphones can impair the functionality of your remote control. Other remote controls in the same frequency range can also cause interference.

Means of representation

DANGER

This warning indicates an imminently hazardous situation which, if not avoided, will result in death or (serious) injury.

WARNING

This warning indicates a possible medium-risk hazard that could result in death or (serious) injury if not avoided.

CAUTION

This warning indicates a low-risk hazard that could result in minor or moderate injury if not avoided.

NOTE

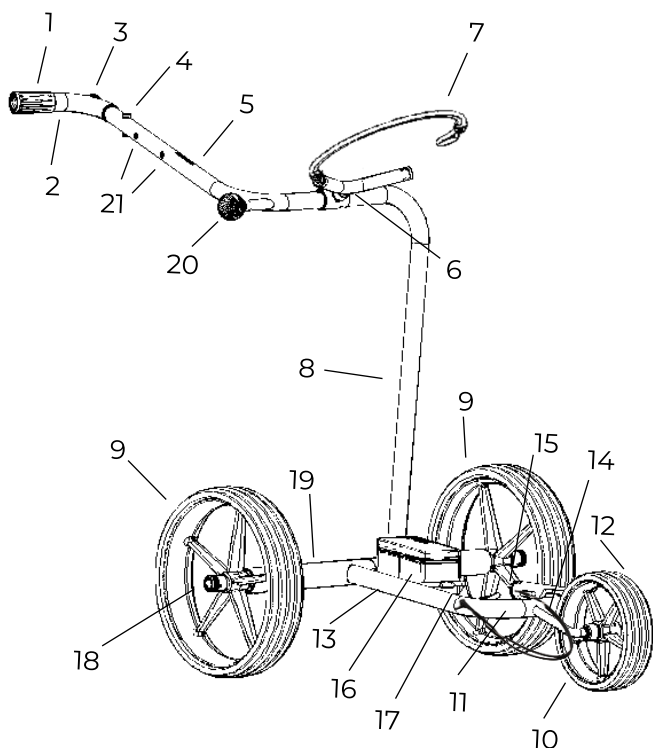
This warning indicates a low-risk hazard that could result in material damage if not avoided.

- ▶ Action instruction: Describes activities that must be carried out. The activities in action sequences must be carried out one after the other.

SAFETY INSTRUCTIONS

- ▶ Read the operating instructions carefully before using the appliances and keep them in a safe place.
- ▶ Do not play golf during a thunderstorm as there is a risk of being struck by lightning.
- ▶ Do not allow children to play with packaging material (plastic bags). Risk of suffocation if plastic bags are put over the head.
- ▶ Before use, check that every component is in perfect condition in terms of general operational safety.
- ▶ Do not use the products if they are damaged.
- ▶ Observe special dangers when handling lithium-ion batteries in the chapter "BATTERY - TREATMENT, CARE, STORAGE, TRANSPORT".

YOUR TiCad TANGO IN DETAIL



- 1 Twist grip control
- 2 Leather handle
- 3 Single push-button / illuminated push-button
- 4 Adapter for umbrella holder
- 5 Drawbar
- 6 Upper pocket support with Zeising
- 7 Rubber gasket
- 8 Center tube
- 9 Drive wheel
- 10 Front wheel
- 11 Front axle
- 12 Knurled sleeve
- 13 Down tube
- 14 Lower pocket support with Zeising
- 15 Connection for battery
- 16 Battery
- 17 Battery basket
- 18 Sliding sleeve
- 19 Motor tube
- 20 Drawbar ball
- 21 M5 fastening nuts for accessories

SCOPE OF DELIVERY

- | | |
|---|-----------------------|
| 1 Drive wheels | 5 Charger for battery |
| 2 Front wheel | 6 Battery |
| 3 Transport bag | 7 Battery Checker |
| 4 Frame with drawbar, bag supports with Zeising and battery Zeising | 8 Axle guard |

After unpacking, check that all parts are complete and undamaged.

STORAGE AND TRANSPORTATION

- ▶ Store the golf trolley in a dry and appropriate environment.
- ▶ Use the corresponding transport bag for transportation.
- ▶ Fit the axle guard on both axles.
- ▶ Do not drop the golf trolley onto the drive shafts. Irreparable damage to the drives is possible.
- ▶ Do not leave the battery connected to the golf trolley during storage and transportation. Always disconnect the plug.
- ▶ Observe the following instructions and regulations on battery storage and transportation.

BATTERY - HANDLING, CARE, STORAGE, TRANSPORTATION

WARNING

Risk of injury from fire, explosion and chemical burns.

Lithium-ion batteries are considered hazardous goods. Improper use can lead to an increased risk of fire, explosion and chemical burns.

- ▶ Check the battery for damage before charging.
- ▶ Only charge undamaged batteries.
- ▶ Do not touch damaged batteries with your skin, wear suitable protective gloves.
- ▶ Do not inhale escaping gases.
- ▶ Dispose of damaged batteries properly.
- ▶ Avoid deep discharge.
- ▶ Avoid mechanical stress and manipulation of the battery.
- ▶ Ensure good packaging and careful stowage.
- ▶ Only charge with the TiCad charger supplied.
- ▶ Never leave the battery unattended while charging.
- ▶ Only operate the charger in a dry environment and not outdoors.
- ▶ Do not cover the battery and charger during charging.
- ▶ Never expose the battery to temperatures above 45 °C or to direct sunlight.
- ▶ Do not place the battery on heat sources (e.g. heating).
- ▶ Do not throw the battery into a fire. Do not immerse the battery in water.

The TiCad battery is protected against incorrect handling (e.g. short circuit, overload, overcharging, deep discharge) by a sophisticated electronic protection system.

- ▶ Always follow the instructions for use and care.
- ▶ Handle the battery with care.

Non-observance and misuse lead to an increased risk of fire and explosion.

Range of the standard battery is at least 27 holes (load approx. 18 kg).

Charging time of empty Li-ion battery approx. 6 to 8 hours.

- ▶ Do not leave the battery connected to the golf trolley during transportation and storage. Always disconnect the plug.
- ▶ Do not drop or crash the battery. Damage to the housing or internal parts (without external signs) is possible.
- ▶ Check the plug connector before plugging it in:
 - No water ingress
 - No soiling
 - No bent plug pins / mechanical plug damage
- ▶ Avoid cable damage:
 - Do not wear on the cable
 - Do not crush, kink or pinch
 - Prevent chafing
 - Do not run over
- ▶ Avoid extreme heat, prolonged exposure to sunlight or prolonged heating by the environment.
- ▶ Avoid leaving the battery in a very hot vehicle.
- ▶ Protect the battery from frosty temperatures.
- ▶ Do not attempt to repair or otherwise misuse the device.

Damage to battery cells can also become noticeable weeks later.

Charge battery

NOTE

Charge the battery.

For safety reasons, the battery has a low charge level on delivery (approx. 20-30 %).

- ▶ Charge the battery for approx. 1-2 hours before storing.
- ▶ Fully charge the battery before first use.

Charging temperature between 5 °C and 35 °C.

- ▶ Do not charge the battery if it is very hot from play, sun or ambient temperature. Allow to cool down before charging.
- ▶ **Do not** store the battery empty **or** fully charged.

A cool environment and 40-50% charging capacity (often achieved after just 1 to 2 hours of charging) are ideal.

- ▶ Disconnect all plug connections at the end of the charging process.

The charger and battery heat up during the charging process. This is not a malfunction.

- ▶ Allow the battery to cool down after charging.

Charger use and application

- ▶ Connect the battery and charger to each other.
- ▶ Connect the charger to the external power supply.
- ▶ Monitor both devices during the charging process.
- ▶ Disconnect all plug connections at the end of the charging process.
- ▶ Observe the imprints on the charger and the operating instructions for the charger.

Battery use and application

- ▶ Do not restart the golf trolley several times when the battery is empty.
- ▶ Leave the battery connected to the golf trolley during rain showers. The plug is therefore better sealed.

WARNING

Pre-damaged batteries can cause fires.

Pre-damage due to water damage.

- ▶ Rescue the golf trolley and battery from the water as quickly as possible.
- ▶ Disconnect the plug from the golf trolley.
- ▶ Remove the battery from the golf trolley.

Storage / transportation

- ▶ Do not store a damaged battery in a car or in a closed room. Store the battery outdoors, protected from rain and without flammable substances in the vicinity.
- ▶ If possible, do not transport a damaged battery. If absolutely necessary, then only under personal supervision with the possibility of taking the battery outside within seconds.
- ▶ Do not attempt to open or repair the battery yourself. This may only be carried out by trained specialist personnel. In addition to invalidating the warranty, there is a risk of putting the battery in an unsafe operating state.
- ▶ Contact TiCad Service.

Preventing water damage

- ▶ Do not clean with a high-pressure cleaner or water jet.
- ▶ Do not allow water to enter the plug.
- ▶ Do not drive the golf trolley into water hazards.

Prevent fall damage

- ▶ Do not drop or crash the battery.
- ▶ To transport the golf trolley and battery in the transport bag, fit the battery in the battery basket.

Battery cleaning and care

- ▶ Check the battery and cable regularly for damage such as housing damage, breaks, cable damage, pinch points, severe kinks, chafing, plug damage and signs of heavy wear.
- ▶ Wipe the battery with a dry or slightly damp cloth after each use.
- ▶ For stubborn stains, add a mild cleaning agent (washing-up liquid, soap cleaner) to the water to moisten the cloth.
- ▶ Do not use aggressive or alcohol-based cleaning agents or abrasive cleaners.
- ▶ Incorrect cleaning agents can cause damage or color changes to the product.

Battery storage and maintenance

- ▶ Store the battery in a dry room and away from flammable materials. If possible, the room in which the battery is charged should have a smoke detector. Observe the climatic conditions for storage.
- ▶ Ask in hotels, golf clubs, etc. for a suitable storage location for the battery.
- ▶ Store the battery in a suitable protective box or in a special battery protection cabinet.
- ▶ Ideally, create a way to quickly remove the battery to the outside in the event of damage.
- ▶ Check the charge status regularly (with Battery Checker) during longer periods of storage. Recharge the battery if necessary.

Standard value (45-50 % charge level, 15 to 20 °C): Storage time approx. 6 months.

TiCad prohibits any mechanical or electrical/electronic modifications to the battery. This will result in the immediate loss of warranty, guarantee and goodwill services for the battery and the devices powered by the battery.

Battery transportation

- ▶ Do not allow the battery to get wet during transportation.
- ▶ Familiarize yourself with the current legal transport requirements regarding the means of transport you have chosen.

Very special restrictions generally apply to air and sea transportation.

- ▶ Only transport or ship batteries in suitable containers or packaging. If you wish to return a battery to TiCad, please contact TiCad Service in advance to ensure a smooth process.

Deformed (including inflated) or damaged or potentially damaged batteries may not be transported or may only be transported with special conditions and precautions.

Battery guide

For more information on batteries and chargers and how to look after them, please refer to the TiCad battery guide on the TiCad website www.ticad.de.

You can find the current version on our website.

ASSEMBLY OF THE TiCad TANGO

DANGER

Choking hazard due to packaging material.

There is a risk of suffocation from plastic bags.

- ▶ Keep plastic bags away from children.
- ▶ **Do not** allow children to play with the packaging material (plastic bags). Do not put plastic bags over your head.

-
- ▶ Remove all parts from the packaging.
 - ▶ Store packaging material.

CAUTION

Risk of injury due to incorrectly mounted golf trolley and accessories.

Incorrectly fitted golf trolleys and accessories can lead to injuries.

A falling golf bag can lead to impact injuries.

- ▶ Before a round of golf, check all plug and screw connections, wheels, axles and the golf bag for correct and tight fit.
- ▶ Always attach the golf bag to the upper and lower bag support with toe clips.

CAUTION

Risk of crushing during assembly/disassembly and unfolding/folding of the golf trolley.

There is a risk of hand injuries due to crushing when assembling / disassembling and unfolding / folding the golf trolley.

- ▶ Proceed with caution when assembling/disassembling and unfolding/folding the golf trolley.

CAUTION

Risk of injury due to toes snapping off.

Zeising consist of rubber bands.

- ▶ Hold the Zeising firmly. Ensure correct attachment to the collar bushing.
- ▶ Hold Zeising firmly when loosening.

Charge the battery on receipt

NOTE

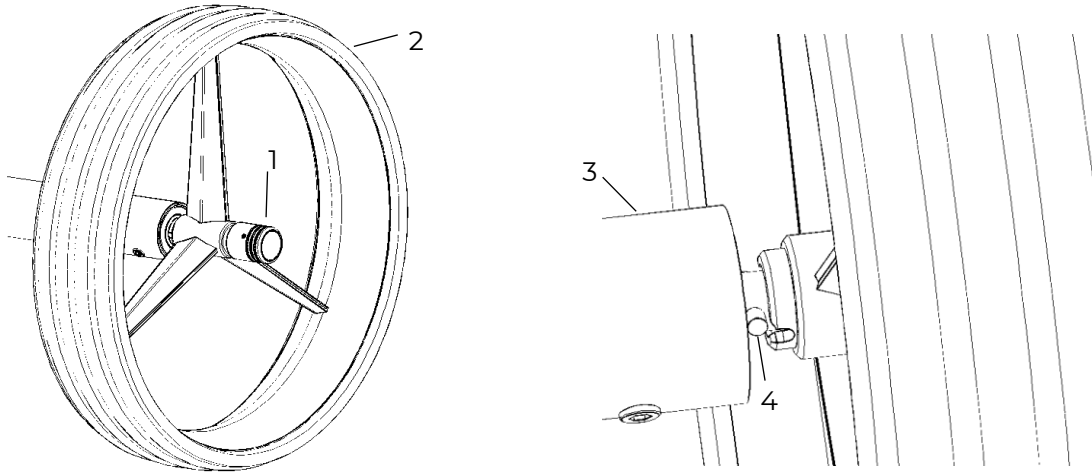
Charge the battery.

- ▶ Fully charge the battery before first use.
- ▶ Observe the usage and warning instructions for the battery in the chapter "BATTERY - HANDLING, CARE, STORAGE, TRANSPORT".

Unfold golf trolley

- ▶ Hold the down tube and move the center tube upwards.
- ▶ Leave the drawbar folded up.

Fitting wheels / dismantling



Mounting drive wheels

- ▶ Remove and store the axle guard.
- ▶ Press the sliding sleeve (1), push the drive wheel (2) onto the axle (3), turn the wheel until the drive pin (4) engages.

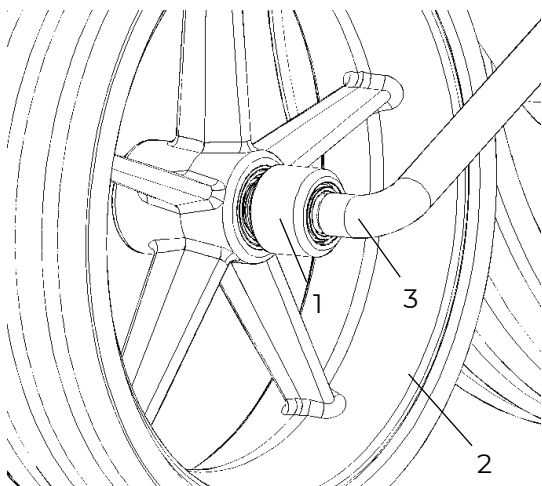
Dismantling drive wheels

- ▶ Press the sliding sleeve, pull the drive wheel off the axle.
- ▶ To protect the drive shafts, fit axle guards on both axles.

Using the freewheel function

When the battery is flat or when pushing over a longer distance without motor drive

- ▶ Press the sliding sleeve (1), pull the drive wheel (2), release the sleeve at a distance of approx. 5 mm from the drive pin (4), lock the drive wheel.



Mounting front wheel

- ▶ Pull back the knurled sleeve (1), push the front wheel (2) onto the axle (3), engage, turning the knurled sleeve if necessary.

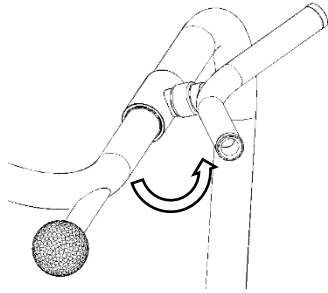
Dismantling front wheel

- ▶ Pull the knurled sleeve back as far as it will go. Pull the front wheel off the axle.

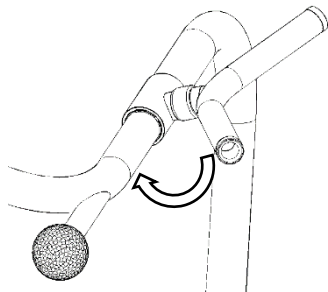
Securing the golf trolley against rolling away

- ▶ Place the golf trolley on a level surface for further assembly.

Fold out upper pocket support



- ▶ To release the locking bolt, pull the upper pocket support downwards.
- ▶ Swivel the pocket support into the latching position.



Folding back the upper pocket support

- ▶ To release the locking bolt, pull the pocket support forwards. Then swivel downwards into the latching position.
- ▶ Fold the down tube into the transport position.

Attach golf bag

Observe the assembly sequence!

- ▶ Snap the battery into the battery basket.
- ▶ Do not connect the battery yet.
Caution: Do not get the plug dirty or wet.
- ▶ Attach golf bag.
- ▶ Adjust the height of the drawbar.
- ▶ Connect the battery.

CAUTION

Risk of injury due to instability of the golf trolley.

When securing the golf bag, there is a risk of the golf trolley tipping over when the drawbar is folded up. This can lead to injuries.

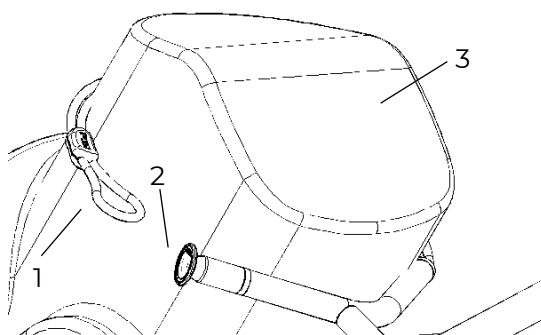
- ▶ Always fold the drawbar down before attaching the golf bag to the golf trolley.

NOTE

Risk of tipping due to instability of the golf trolley.

When securing the golf bag, there is a risk of the golf trolley tipping over and being damaged when the drawbar is folded up.

- ▶ Attach golf bag.
- ▶ Fold up the drawbar.

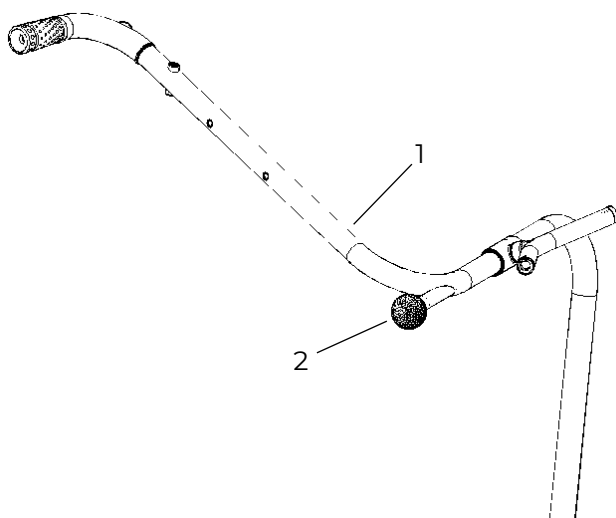


First attach the golf bag at the top, then at the bottom.

- ▶ Guide the Zeising (1) around the golf bag (3) and fasten it to the waistband bushing (2).

Solve Zeising

- ▶ Carefully loosen the loop of the Zeising, hold the Zeising firmly.



Adjusting the drawbar

- ▶ Turn the drawbar ball (2) three to four turns counterclockwise until the drawbar (1) can be moved without resistance.
- ▶ Position at the desired height.
- ▶ Tighten the drawbar ball clockwise. Move the drawbar slightly up and down so that the teeth of the lock engage optimally and are not damaged.

Tightness of the frame elements is only guaranteed when the drawbar ball is firmly tightened.

- ▶ Always retighten the drawbar adjustment after repositioning the drawbar (even when folded).

DISASSEMBLY

NOTE

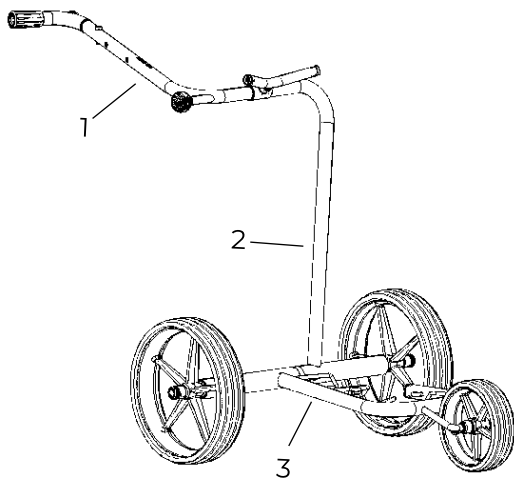
Risk of tipping due to instability of the golf trolley.

Make sure you disassemble the golf trolley in the correct order. This is important to prevent the golf trolley from tipping over.

- ▶ Secure the golf trolley against unintentional rolling away.
 - ▶ First remove any accessories that could interfere with disassembly.
 - ▶ Disconnect the battery plug from the golf trolley.
 - ▶ Fold down the drawbar and tighten.
 - ▶ Remove golf bag.
-
- ▶ During further disassembly, remove the battery from its holder and put it down safely.
 - ▶ Fold the frame.
 - ▶ Push the center tube down to the down tube as far as it will go.
 - ▶ Remove the wheels.
 - ▶ Fit the axle guard on both axles.
 - ▶ To transport the golf trolley and battery in the transport bag, fit the battery in the battery basket.
 - ▶ **Do not** connect the battery.
 - ▶ Observe chapter "STORAGE AND TRANSPORT".

FOLDING GOLF TROLLEY

The golf trolley can be folded without having to disassemble it completely.



- ▶ Disconnect the battery plug from the golf trolley.
- ▶ Turn the drawbar ball three to four turns counterclockwise until the drawbar (1) can be moved without resistance.
- ▶ Fold the drawbar down.
- ▶ Tighten the drawbar ball clockwise.
- ▶ Fold back the upper pocket support.
- ▶ Carefully push the center tube (2) down to the down tube (3) as far as it will go.

Tightness of the frame elements is only guaranteed when the drawbar ball is firmly tightened.

ASSEMBLY / DISASSEMBLY OF ACCESSORIES

- ▶ Observe the documents enclosed with the accessories.
- ▶ Do not connect the battery when fitting accessories to prevent unexpected reactions of the golf trolley.

Fastening nuts for accessories

- ▶ Remove the threaded pins (grub screws) that have been screwed in.
- ▶ To protect against soiling, screw in grub screws or accessory screws when not in use.

Fitting the sunshade holder

- ▶ Screw the threaded shade holder into the adapter.

OPERATION

Always observe the following precautions and instructions to avoid injury and damage to property.

DANGER

Lightning strike during a thunderstorm.

When playing golf during a thunderstorm, there is a risk of being struck by lightning.

- ▶ Do not play golf during a thunderstorm.
- ▶ If there is a thunderstorm during the game, get to safety and seek shelter in the shelters provided.
- ▶ Before the game, provide information about shelters that can be used during thunderstorms.

CAUTION

Risk of injury due to improper use.

The golf trolley is only intended for transporting golf bags and their contents. The golf trolley is not designed for transporting other products or people and animals.

- ▶ Do not use the golf trolley as a medical walking aid.
- ▶ Pulling the golf trolley by hand from a motorized golf cart is not permitted.
- ▶ Do not allow children to play with the golf trolley.
- ▶ Maximum load 18 kg.

Liability expires in the event of improper use.

CAUTION



Risk of tripping and falling due to careless movements.

If you walk off carelessly, there is a risk of tripping over the golf trolley and its wheels.

- ▶ Keep an eye on the golf trolley and pay attention to its location.

CAUTION



Risk of falling and slipping in wet weather.

There is a risk of slipping and falling when the floor is wet.

- ▶ Do not play golf in wet weather.
 - ▶ Wear suitable footwear.
-

CAUTION

Risk of injury due to golf trolley rolling away.

Golf trolleys can roll away on sloping terrain and injure people and animals.

- ▶ Park the golf trolley on sloping terrain at right angles to the slope.

Golf trolley in battery mode

- ▶ Activate the electromagnetic parking brake when the golf trolley is parked.

Using the golf trolley without or with an empty battery

If the golf trolley is used without a battery or if the battery fails, the electromagnetic parking brake will not function.

- ▶ **Do not** park the golf trolley on the slope in the direction of travel.
-

CAUTION

Risk of injury from rotating parts.

- ▶ Do not reach into the wheels of the golf trolley while driving.
-

NOTE

Driving on uneven terrain.

To avoid damaging the golf trolley, move your golf trolley slowly and carefully on terrain with large stones or potholes.

- ▶ Avoid kerbs.
 - ▶ It is better to guide the golf trolley by hand.
-

LED on the illuminated pushbutton

Display of the advance function when it starts:

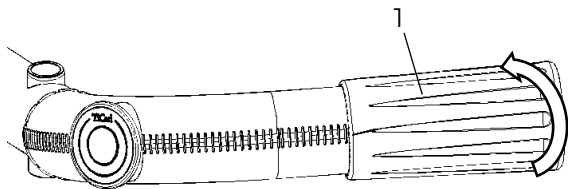
- LED lights up continuously - 10 m forward travel
- LED flashes - 20 m advance
- LED flashes quickly - overload / error

Starting the golf trolley and regulating the speed

CAUTION

Risk of injury due to uncontrolled speed of the golf trolley.

- ▶ Set the speed so that intervention is possible at any time.
- ▶ Only use the golf trolley when it is loaded.
- ▶ Set the speed so that you can still walk alongside and, if necessary, intervene and stop the golf trolley.

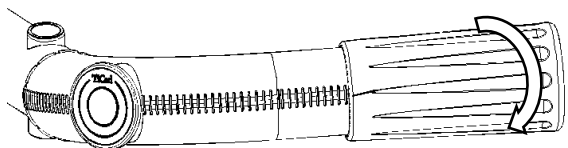


Start & Faster

- ▶ Turn the rotary handle (1) slightly forwards in the direction of the arrow.

Golf trolley starts to move.

- ▶ Turning the twist grip further forward increases the speed.



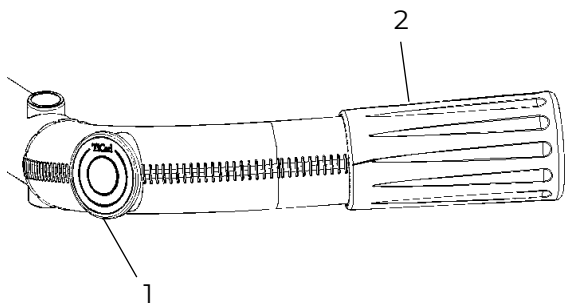
Slow down & stop

- ▶ Turning backwards in the direction of the arrow reduces the speed.
- ▶ Stop the golf trolley by turning the rotary handle backwards as far as it will go in the direction of the arrow.

Electromagnetic parking brake is automatically activated when the vehicle is stationary.

Using the memory function

The driving speed of the memory function depends on the position of the rotary handle.



- ▶ Start, interrupt and continue the memory function by pressing the individual button (1).
- ▶ Set the desired speed using the rotary handle (2).

The electromagnetic parking brake is activated when the vehicle is stationary.

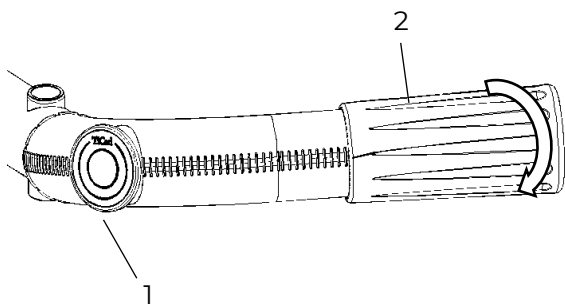
Using the electromagnetic parking brake

NOTE

Use the electromagnetic parking brake.

The golf trolley can roll away and tip over on sloping terrain and be damaged as a result.

- ▶ Activate the electromagnetic parking brake when the golf trolley is parked.
- ▶ Park the golf trolley on sloping terrain at right angles to the slope.



The electromagnetic parking brake acts on the right-hand drive wheel and can be actuated in two ways:

- ▶ Press the single button (1).
- or
- ▶ Turn the rotary handle (2) in the direction of the arrow back to the stop (= zero position).

Single button when moving and stationary

Pressing the single button brakes the golf trolley to a standstill. The electromagnetic parking brake is activated.

Pressing the single button again deactivates the electromagnetic parking brake. The golf trolley accelerates to the speed set on the twist grip.

Twist grip from the drive

Turning the rotary handle back to the zero position brakes the golf trolley to a standstill. The electromagnetic parking brake is activated.

Turn the rotary handle forwards from the neutral position to release the brake and continue driving. The golf trolley accelerates to the speed set on the twist grip.

Rotary handle at standstill

Turning the twist grip forwards deactivates the electromagnetic parking brake. The golf trolley accelerates to the speed set on the twist grip.

If the twist grip is not turned back to the zero position, the golf trolley remains stationary with the brake activated. The preset speed is reduced.

Turning the rotary handle back to the zero position deactivates the electromagnetic parking brake. The golf trolley stands without a brake. The preset speed is now zero.

Rotary handle in zero position: Pressing the button activates / deactivates the electromagnetic parking brake.

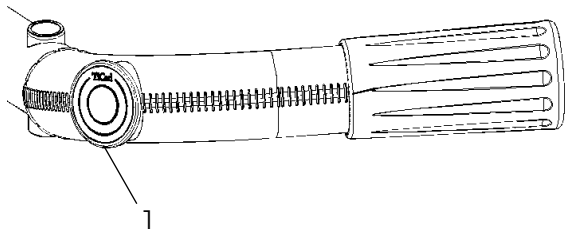
Use advance function

The fast forward function only works if no remote control is activated (default setting).

CAUTION

Risk of injury to people and animals due to uncontrolled speed of the golf trolley.

- ▶ Only use the golf trolley when it is loaded.
 - ▶ Set the speed so that you can still walk alongside and, if necessary, intervene and stop the golf trolley.
-



Activate 10 m lead time

- ▶ Press and hold the single button (1) until the illuminated button lights up blue, then release.

The golf trolley travels approx. 10 m and stops.

Activate 20 m lead time

- ▶ Press and hold the single button (1) until the illuminated button flashes blue, then release.

The golf trolley travels approx. 20 m and stops.

Cancel advance function / regulate speed

- ▶ Press the individual button (1) during the fast-forward function to cancel the fast-forward function.
- ▶ Adjust the speed during the forward travel using the rotary handle.

Programming the advance function

Deactivate advance function

Deactivate the forward function:

- ▶ Disconnect the battery plug from the golf trolley and wait 30 seconds.
- ▶ Press and hold the single button. Insert the battery plug while doing so.

After 3 seconds, the LED lights up blue continuously.

After 30 seconds, the LED flashes blue quickly.

- ▶ Now release the individual button.
- ▶ Disconnect the battery plug, wait 5 seconds and plug it back in.

Forward function is deactivated.

Activate advance function

Activate the factory-set advance function:

- ▶ Disconnect the battery plug from the golf trolley and wait 30 seconds.
- ▶ Press and hold the single button. Insert the battery plug while doing so.

After 3 seconds, the LED flashes blue quickly.

After 30 seconds, the LED lights up blue continuously.

- ▶ Now release the individual button.
- ▶ Disconnect the battery plug, wait 5 seconds and plug it back in.

Forward function is activated.

Using the freewheel function

To be used when the battery is flat or when pushing over a longer distance without motor drive. For details, see "Fitting / removing wheels" above.

CLEANING, CARE AND MAINTENANCE

The frame is sealed against rain.

Do not use a high-pressure cleaner for cleaning.

NOTE

Dirt and deposits on the wheels, in the wheel hubs, in the joints and in the joints of the frame can cause the golf trolley to jam and become stiff.

Water in the frame parts can lead to jamming and stiffness.

Dirt and water in the frame parts can cause damage to the electronics.

- ▶ Ensure that no dirt enters the wheel hub.
- ▶ Clean the golf trolley after each use.

Never clean the golf trolley with a high-pressure cleaner.

Do not immerse the golf trolley in water.

Do not oil or grease wheel hubs and connections.

NOTE

Incorrect cleaning agents can cause damage or color changes to the product.

Do not use any aggressive or alcohol-based cleaning agents or abrasive cleaners.

Do not use brushes.

- ▶ Clean the golf trolley with water and a mild detergent (washing-up liquid).

Maintenance is recommended every 5 years at the latest, or sooner depending on the intensity of use. Please contact your specialist dealer or TiCad Service for this.

TROUBLESHOOTING

Malfunction	Cause	Measure
LED flashes blue quickly.	Drives or electronics were briefly overloaded. Golf trolley has come to a sudden stop at an obstacle (e.. pothole or kerb).	<ul style="list-style-type: none"> ▶ Press the drive button to restart the golf trolley. ▶ If the golf trolley does not start, unplug the battery, wait 10 seconds and plug it back in. ▶ If the LED continues to flash blue, contact TiCad Service.
Water damage to battery and / or golf trolley. Drop damage battery.	Battery and / or golf trolley immersed in water. Battery dropped.	<ul style="list-style-type: none"> ▶ Fire hazard! ▶ Immediately observe the procedure in the chapter "BATTERY - TREATMENT, CARE, STORAGE, TRANSPORT", section "Battery use and application"
LED on the battery charger indicates an error or the charger reacts differently than usual.	Charger has detected an error or unusual operating status.	<ul style="list-style-type: none"> ▶ Observe the charger operating instructions. ▶ Disconnect the charger from the mains and the battery and wait one minute. ▶ Reconnect the battery to the charger and then connect the charger to the mains. ▶ Contact TiCad Service.

If there is a problem with your golf trolley or accessories that you cannot resolve yourself, please contact your specialist dealer or TiCad Service.

DISPOSAL



Packaging

The product is packaged to protect it from damage during transportation. Please keep the packaging material or dispose of it in an environmentally friendly manner and recycle it properly.

Dispose of in accordance with local legal regulations.

Information on disposal can be obtained from your city or local authority or your waste disposal service provider.

Product

This device is labeled in accordance with the European Directive 2012/19/EU on waste electrical and electronic equipment (WEEE).

The directive provides the framework for the EU-wide take-back and recycling of old appliances.

WEEE reg. no.: DE 111921978.

At the end of its service life, dispose of the product in an environmentally friendly manner and recycle it properly.

Dispose of the product in accordance with local legal regulations.

Information on disposal can be obtained from your city or local authority or your waste disposal service provider.

Lithium-ion batteries do not belong in household waste. Have used batteries disposed of by a certified waste disposal company.

TiCad will be happy to take care of the professional recycling of your golf trolley, battery and charger. Please contact TiCad Service.



TECHNICAL DATA

Model		TiCad TANGO
Trolley type		Electric trolley
Handling		Folding principle
Handle		Leather handle, L-shaped
Weight frame + wheels		6.3 kg / 14 lbs
Battery weight	Standard battery	1.2 kg / 2.7 lbs
	Sports battery	1.6 kg / 3.5 lbs
Transport bag weight		1.9 kg / 4.1 lbs
Pack size	L x W x H / L x W x H	67 x 64 x 13 cm / 26.4 x 25.2 x 4.9 inches
Frame size	L x W x H / L x W x H	67 x 64 x 5.5 cm / 26.4 x 25.2 x 2.2 inches
Transport bag	L x W x H / L x W x H	73 x 71 x 14 cm / 28.7 x 28 x 5.5 inches
Caddy garage	L x W x H / L x W x H	85 x 66 x 80 cm / 33.5 x 25.8 x 31.5 inches
Maximum payload		18 kg / 40 lbs
Range	Standard battery	36 hole
	Sports battery	45 Hole
Electrical data	Nominal battery voltage	25,2 V
	Standard battery power	212 Wh
	Sports battery power	300 Wh
	Motor power	2 x 90 W
Airborne noise emission		Emission sound pressure level Less than 70 dB (A)
Dimension shipping carton	L x W x H / L x W x H	75 x 72 x 16 cm / 29.5 x 28.3 x 6.3 inches

This product was manufactured in Germany.

Technical data may vary with individual configuration or model changes.

STATUTORY WARRANTY AND MANUFACTURER'S GUARANTEE

Your TiCad products have been carefully designed and manufactured. Should you notice any irregularities, please contact your specialist dealer or TiCad Service directly.

Statutory warranty in accordance with the legal regulations of the country in which the product was purchased from TiCad or the authorized specialist retailer.

Products purchased online were purchased in Germany.

The statutory warranty does not apply to damage caused by

- Carelessness
- improper handling
- Overloading the golf trolley
- inappropriate operation
- external force
- Immersion in water

The statutory warranty only applies if the instructions in this operating manual are followed.

Normal, customary signs of wear and tear on the golf trolley and accessories are not covered by the statutory warranty and the manufacturer's warranty, provided there is no material defect. This also includes signs of wear on the surface of the golf trolley (abrasion and scratches on the titanium surface).

Wear parts such as tires, leather grips and toe rings are excluded from the statutory warranty. Their service life depends on the respective riding style and the intensity of use. You can only assert guarantee and warranty claims in the event of production faults or verifiable defects.

Manufacturer's warranty from date of purchase

5 years on titanium frames, wheels

2 years on electronic components, drives, batteries, chargers

Parts subject to wear and tear (e.g. toe rings, tires, leather handle) are excluded from the manufacturer's warranty.

No extension of the warranty period due to replacement deliveries or repairs for warranty reasons. Excluded are damages caused by

- Carelessness
- Rough use
- Overload
- improper operation
- external force
- Diving under water
- Interference by unauthorized persons

Prerequisite for warranty service:

- Follow the instructions in the operating instructions
- Intended use
- Regular product maintenance

Operation with non-original TiCad components will invalidate the manufacturer's warranty and liability.

Repairs and adjustments to your golf trolley or TiCad accessories may only be carried out by TiCad or partners authorized by TiCad. Unauthorized tampering voids the warranty / guarantee.

Technical changes and further developments do not give rise to any claim for retrofitting.

SERVICE

Should a problem occur with your TiCad golf trolley or accessories, please always contact your specialist dealer or TiCad Service in Altenstadt, Germany, directly before initiating a shipment. This applies in particular to devices that are located outside Germany.

We will be happy to assist you with the return shipment and, if necessary, with packaging material.

If possible, please have the devices themselves, the serial numbers of the devices and the date of purchase ready when making service inquiries. Serial numbers can be found on the devices themselves, on the type plates or, if applicable, on the proof of purchase.

Shipping address: TiCad GmbH & Co KG
Heegwaldstr. 3-5
63674 Altenstadt
Germany

Phone: +49 (0)6047 / 987 90-14

Fax: +49 (0)6047 / 987 90-39

E-Mail: service@ticad.de

IMPRINT

PUBLISHER

TiCad GmbH & Co KG

Heegwaldstrasse 3-5

63674 Altenstadt

Germany

www.ticad.de

Data, wording and images have been partially standardized and primarily describe the systematic function.

Deviations from the delivered product may occur for this reason or due to ongoing model optimization.

The original language of these operating instructions is German. Other languages are translations of the original German operating instructions. In the event of deviations from the original operating instructions, the German version is binding.

These operating instructions may not be copied or used in any other way without the consent of TiCad GmbH & Co. KG - this applies to both the entire document and extracts from it. Keep your operating instructions in a safe place.

Further documents, information and operating instructions (also in other languages) can be found on the TiCad website. For printed copies, please contact your specialist dealer or TiCad Service.

Certification documents, such as declarations of conformity, can be found as attached documents or on the TiCad website.

Please note our General Terms and Conditions at www.ticad.de.

© 2026, TiCad GmbH & Co.

TiCad[®]